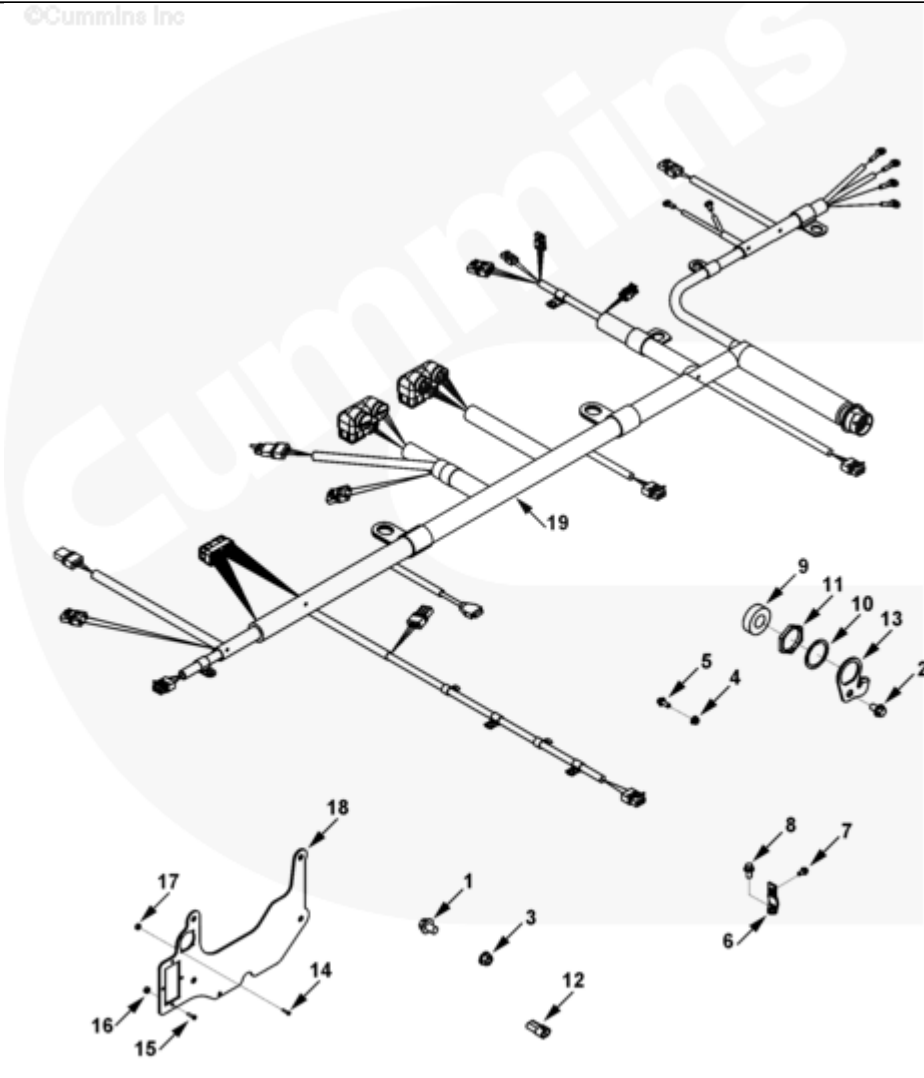




Parts Catalog - Option Detail

Electronic Parts Catalog - Option Detail				
Option	Group	Graphic	Film Card	Date
WR9502-03	05.06.1	wr962gr	Z	19-AUG-09
Engines	6C8.3, C GAS PLUS CM556, G8.3, G8.3 CM558, GTA8.3 CM558, ISC CM2150, ISC CM554, ISC CM850, ISC8.3 CM2250, ISC8.3 G CM2180 C101, ISL CM2150, ISL CM554, ISL CM850, ISL G CM2180, ISL8.9 CM2150 L110, ISL8.9 CM2880 L112, ISL9 CM2150 SN, ISL9 CM2250, ISL9 CM2350 L101, ISL9 CM2350 L111, ISLE4 CM850, L GAS PLUS CM556, L8.9, L8.9 L121, L8.9G CMOH2.0 L125B, L9 CM2350 L116B, L9 CM2350 L119B, L9 CM2350 L120C, L9 CM2350 L123B, L9.3 L105, L9.5 L117, L9N CM2380 L124B, QSC8.3 CM2250, QSC8.3 CM2880 C102, QSC8.3 CM554, QSC8.3 CM850(CM2850), QSL9 CM2250, QSL9 CM2250 L115, QSL9 CM2350 L102, QSL9 CM2350 L107, QSL9 CM2350 L118, QSL9 CM2350 L122, QSL9 CM554, QSL9 CM850(CM2850), QSL9 G CM558, QSL9 M CM2250 L106, QSL9.3 CM2880 L113			



wr962gr

Cart	Ref No	Part Number	Part Description	Required	Remarks
View My Cart					
		WR9502-03	Electronic Control Module Wiring Harness		MR - HARNESS, ENG CNT WRG... (More)
					Engine Family: C and L
					Engine Cylinders: 6
					Control Type: Smartcraft 2.X
					OEM Connection:
					- X (mm): 225.3
					- Y (mm): 233.4
					- X (mm): -81.8
					OEM Connector Type: 50 Pin
					ECM Location: Fuel Pump Side
					Front
					J1939 Connector Location:
					- X (mm): 136.7
					- Y (mm): 233.4
					- Z (mm): -81.8
					Real Time Clock Battery:
					Yes/In Harness
					Voltage: 12 or 24
					ECM Type: CM850
					Speed Sensor Location: Crank
<input type="checkbox"/>	1	3089384	Hexagon Flange Head Cap Screw	1	M10 X 1.50 X 14.
<input type="checkbox"/>	2	3093956	Hexagon Flange Head Cap Screw	1	M8 X 1.25 X 12.
<input type="checkbox"/>	3	3900589	Hexagon Flange Nut	1	M8 X 1.25
<input type="checkbox"/>	4	3906216	Hexagon Flange Nut	2	M6 X 1.00.
<input type="checkbox"/>	5	3913638	Hexagon Flange Head Cap Screw	1	M6 X 1.00 X 16.
<input type="checkbox"/>	6	3919294	Tube Brace	1	

<input type="checkbox"/>	7	3925381	Hexagon Flange Head Cap Screw	1	M5 X 0.80 X 12.
<input type="checkbox"/>	8	3925883	Hexagon Flange Head Cap Screw	1	M8 X 1.25 X 16
<input type="checkbox"/>		5254014	Electronic Control Module Wiring Harness	1	
<input type="checkbox"/>	4	3906216	Hexagon Flange Nut	1	M6 X 1.00.
<input type="checkbox"/>	9	3076174	Protective Cover	1	
<input type="checkbox"/>	10	3617959	Lock Washer	1	1 11/16 in.
<input type="checkbox"/>	11	4022547	Regular Hexagon Nut	1	1 11/16-18 Thd
<input type="checkbox"/>	12	4939836	Resistor	1	Mercury Marine P/N 893388A01.
<input type="checkbox"/>	13	4941890	Electrical Connector Bracket	1	
<input type="checkbox"/>	14	4945798	Round Head Cap Screw	4	
<input type="checkbox"/>	15	4945799	Round Head Cap Screw	4	
<input type="checkbox"/>	16	4945966	Lock Nut	4	
<input type="checkbox"/>	17	4945967	Lock Nut	4	
<input type="checkbox"/>	18	5253923	Electronic Control Module Bracket	1	
	19	5254015	Electronic Control Module Wiring Harness	1	Purchase Upper Level Assembly